

APOLLO



Surface mounted ceiling luminaire with retro styling and completely non-corrosive. Suitable for all residential applications, energy efficient LED boards. Designed and made in Australia. Double Insulated Wide tunnel terminals for ease of installation Microwave sensor available as an accessory on request.

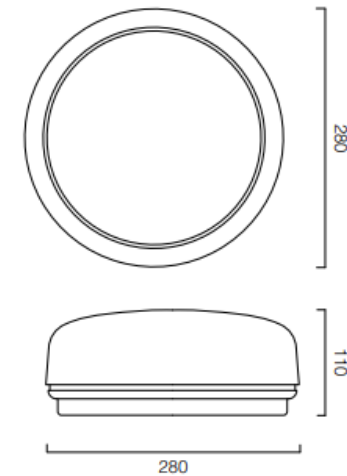
TECHNICAL DATA

Power Input	240V AC
Lamp Options	BC Lamp Holder 10W LED Boards 20W LED Boards
LED Colours	3000K 4000K 5000K
Fitting Colours	White (W)
Materials	Base- Polypropylene Lens- Polypropylene Reflector- Aluminium Reflector
Warranty	5 years on base and lens 2 years on electronic components

Product Code	A280T	Apollo BC Lampholder 15W
	A280-L10-3K	Apollo 10W LED 3000K
	A280-L10-4K	Apollo 10W LED 4000K
	A280-L10-5K	Apollo 10W LED 4000K
	A280-L20-3K	Apollo 20W LED 3000K
	A280-L20-4K	Apollo 20W LED 4000K
	A280-L20-5K	Apollo 20W LED 5000K



Microwave Sensor available as an accessory.



* If your preferred lamp source is not stated above, please contact us as different options are available.